



SOCIETÀ PER L'ELETTRONICA s.r.l.

# EXPERT 1K-FA

## 1KW SOLID STATE FULLY AUTOMATIC LINEAR AMPLIFIER

### USER'S MANUAL





## Main index

IMPORTANT .....	4
PRECAUTIONS.....	4
UNPACKING .....	6
1. PANEL DESCRIPTION .....	7
1.1 Front Panel .....	7
1.2 Rear Panel.....	8
2. GENERAL INFORMATION .....	9
2.1 Power supply .....	9
2.2 Input / Output.....	9
2.3 ALC / RELAY / CAT.....	9
3. INTERCONNECTION WITH THE TRANSCEIVER .....	11
4. USE OF THE LINEAR AMPLIFIER.....	12
5. EXTERNAL GROUND CONNECTION .....	13
6. ANTENNA.....	13
7. POWER SUPPLY .....	14
7.1 Mains cable termination.....	14
8. TUNER .....	16
9. PROTECTIONS / ALARMS.....	17
10. PROGRAMMING.....	19
10.1 Ways to operate .....	19
11. INITIAL OPERATION OF THE AMPLIFIER.....	22
11.1 Initial Programming.....	22
11.2 Operating.....	23
12. CAT CONNECTIONS.....	25
12.1 CAT Connector.....	25
12.2 SPE.....	25
12.3 ICOM .....	26
CAT CI-V Interface .....	26
BAND CONTROL VOLTAGE Interface.....	26
12.4 KENWOOD.....	27
CAT RS232 Interface .....	27
CAT 5V TTL Interface.....	27
12.5 YAESU.....	28
CAT RS232 Interface .....	28
CAT 5V TTL Interface.....	28
BAND DATA Interface .....	29
12.6 TRANSCEIVERS OF OTHER BRANDS.....	29
13. OTHER CONNECTIONS .....	30
13.1 ALC, RELAY CONNECTIONS .....	30
13.2 REMOTE ON LINK.....	30
13.3 TX INH LINK.....	31
14. TRANSCEIVER CONTROLLED WITH A PC.....	32
14.1 ICOM CI-V INTERFACE.....	32
14.2 RS232 INTERFACE .....	33
14.3 5V TTL KENWOOD INTERFACE .....	33
14.4 5V TTL YAESU INTERFACE .....	34
15. USE OF THE RS-232 PORT.....	35
16. MAINTENANCE .....	36
17. CHARACTERISTICS / SPECIFICATIONS .....	37
18. TABLE .....	39
19. WARRANTY .....	40

Congratulations for choosing the SPE EXPERT 1K-FA linear amplifier. It is small, and powerful, it covers the whole frequency range from 1.8 to 50 MHz, completely automatically. All operating conditions (frequency, antenna and tuner) may be controlled from your transceiver. It is possible to connect it to every type of device, it is extremely user-friendly, and offers a product which is best-in-class.


## IMPORTANT

**Read this instruction manual carefully before attempting to operate the linear amplifier.**

**Keep this manual. It contains important safety and operating instructions for the SPE EXPERT 1K-FA.**

## PRECAUTIONS

### *Explicit definitions*

WORD	DEFINITION
 <b>WARNING!</b>	Risk of danger of fire or electric shock to persons. Possible damage to the amplifier.
<b>NOTE:</b>	Serious problems if not observed. Danger of fire or electric shock for the operator, or damage to the equipment.

### **WARNING!**

**HIGH VOLTAGE! DO NOT** disconnect an antenna from the amplifier during transmission; Electric shock or fire is possible.

### **WARNING!**

**DO NOT** modify the internal wiring of the amplifier. Any modifications will invalidate the warranty, and may reduce the performance of the linear amplifier or damage it.

### **WARNING!**

**Before** using the linear amplifier, compare the value of voltage of the local mains supply network with the value required by the amplifier, and set it up correctly.

### **WARNING!**

**DO NOT** turn ON the linear amplifier unless it has been properly grounded through the green/yellow conductor of the mains cord. Your dealer will already have provided the correct mains plug for your local electricity network, with the earth pin connected to that conductor. Do not disconnect this under any circumstances, or there is a risk of severe or fatal electric shock.

### **WARNING!**

**DO NOT** use an extension cord with the AC power cable, as if it is not correctly rated there is a risk of fire or electric shock.

### **WARNING!**

**DO NOT** allow metallic objects or wires to enter inside the amplifier.

 **WARNING!**

**DO NOT** obstruct the entries for cooling air at both the sides of the amplifier. Ensure that no object impedes the correct operation of the fans.

 **WARNING!**

**DO NOT** expose the linear amplifier to rain, snow or any liquids.

 **WARNING!**

**DO NOT** instal the linear amplifier in a place without good ventilation. This could limit heat dissipation and the amplifier could be damaged.

 **WARNING!**

**DO NOT** touch the amplifier with damp or wet hands. There is danger of electric shock. Avoid opening it before you have disconnected it from the mains supply, then wait at least 2 minutes for electrolytic capacitors to complete their discharge.

To clean the amplifier **DO NOT** use chemical agents like alcohol or benzene because the plastic surfaces could be damaged.

**AVOID** using the amplifier in areas with temperatures below  $-10^{\circ}\text{C}$  ( $+14^{\circ}\text{F}$ ) or above  $+40^{\circ}\text{C}$  ( $+104^{\circ}\text{F}$ ).

**AVOID** using the linear amplifier in locations that are very dusty, damp or in direct sunlight.

**AVOID** placing the linear amplifier against walls, the circulation of the air would be obstructed and the noise of the fans would be reflected toward the operator.

**AVOID** permitting children to play with the amplifier.

If you do not use the linear amplifier for long time, set the back main switch [I/O] to the OFF position [O].

**This amplifier should only be operated by persons who have an appropriate radio transmitting licence, and you should observe your licence conditions whilst using it.**

## UNPACKING

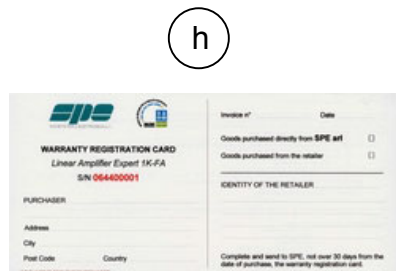
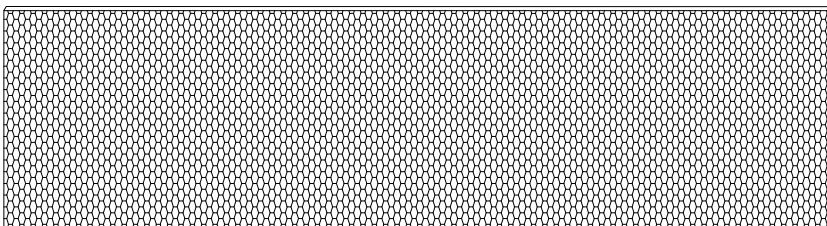
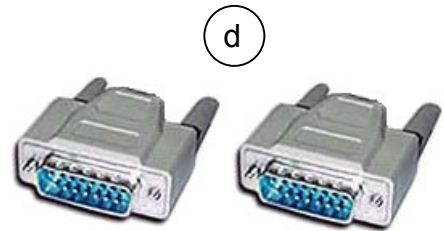
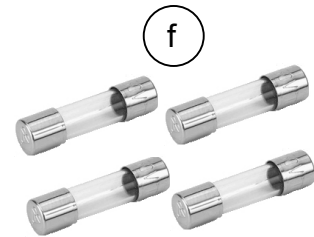
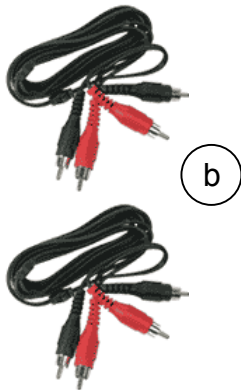
Remove the packing and carefully check the contents.

If you find any damage or if there are any parts missing, contact your retailer immediately.

Keep the shipping cartons for future transportation if required.

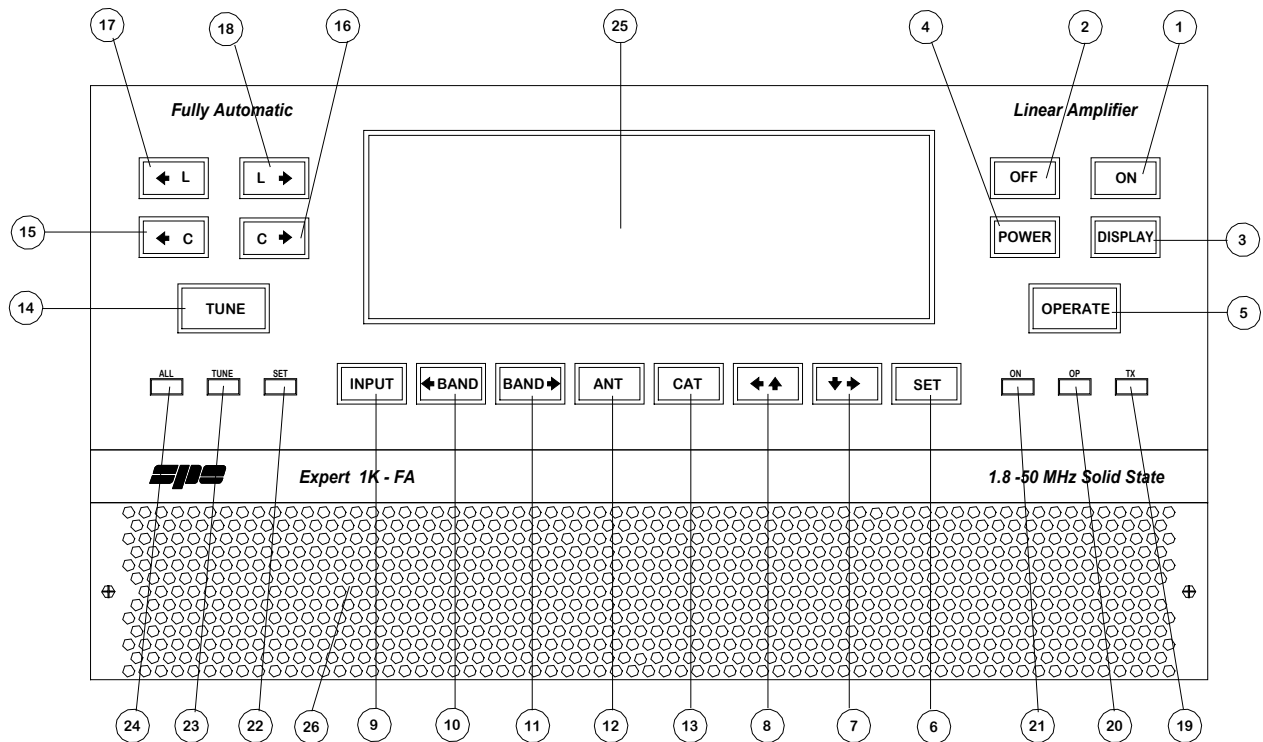
### Accessories included in the carton

- a) Transport carry bag.
- b) 2 - cables with RCA (phono) connectors for ALC, RELAY links.
- c) 1 - standard RS232 cable.
- d) 2 -15 pole connectors (DB-15) for CAT links.
- e) User manual.
- f) Spare fuses:
  - 1 – 12.5 A.
  - 1 – 0,5 A.
  - 1 - 20 A (USA and Japan only).
  - 1 - 1 A. (USA and Japan only).
- g) Spare air filter.
- h) Certificate of compliance and warranty form.



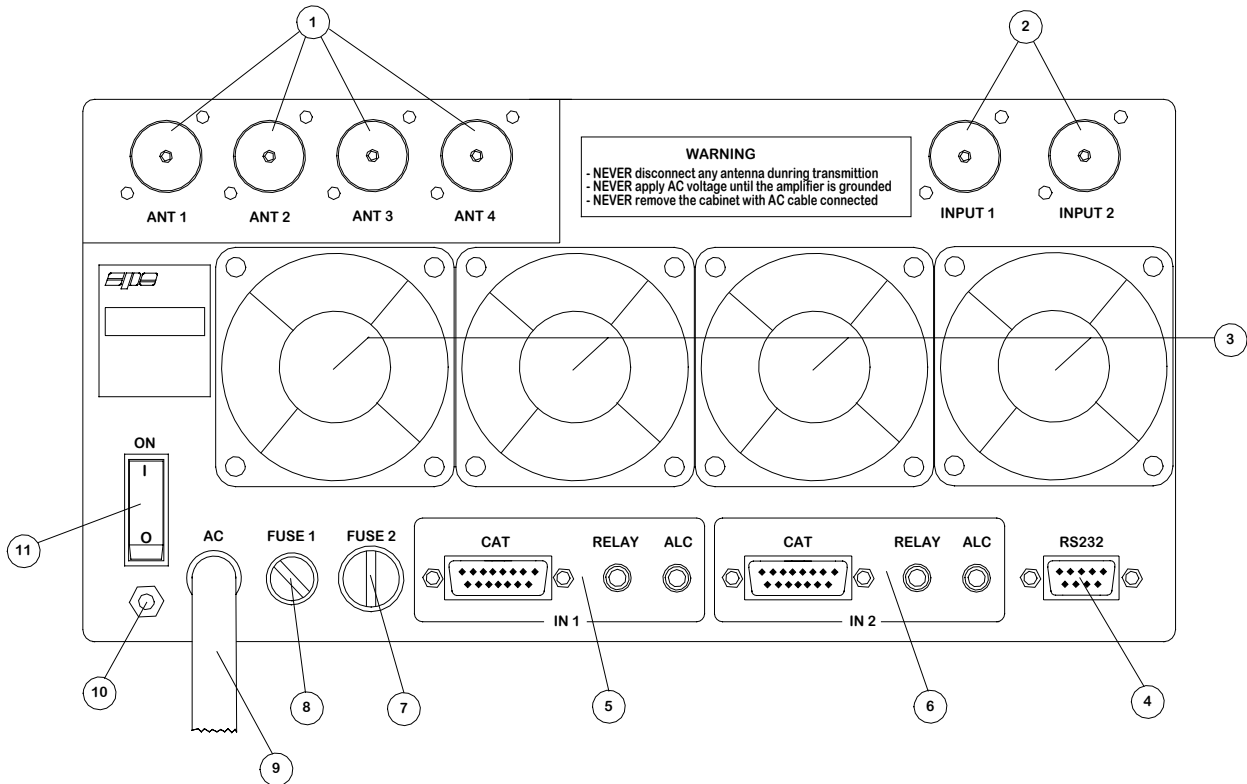
# 1. PANEL DESCRIPTION

## 1.1 Front Panel



- 1) ON
- 2) OFF
- 3) DISPLAY switches between display pages.
- 4) POWER switches output power from "FULL / HALF" (1KW / 500 W).
- 5) OPERATE switches between Standby / Operate.
- 6) SET used to program the amplifier.
- 7) ►▼ used to program the amplifier.
- 8) ◀▲ used to program the amplifier.
- 9) INPUT selects one of the two inputs of the amplifier.
- 10) ◀ BAND switches bands manually (downward in frequency).
- 11) BAND ► switches bands manually (upward in frequency).
- 12) ANT shows the current Antenna / Band setting.
- 13) CAT shows the current CAT interface setting.
- 14) TUNE: starts the automatic tuning process.
- 15) ◀ C used for manual tuning.
- 16) C ► used for manual tuning.
- 17) ◀ L used for manual tuning.
- 18) L ► used for manual tuning.
- 19) TX red led, illuminates during transmission.
- 20) OP yellow led, illuminates when the amplifier is in "Operate" state.
- 21) ON green led, illuminates when the amplifier is "ON".
- 22) SET green led, illuminates during programming.
- 23) TUNE yellow led, illuminates during tuning.
- 24) ALL red led, illuminates when there is an alarm.
- 25) DISPLAY
- 26) AIRFLOW GRID

## 1.2 Rear Panel



- 1) ANT connectors for four possible antennas.
- 2) INPUT connectors to connect two exciters.
- 3) FANS
- 4) RS 232 CONNECTOR
- 5) IN 1 ALC, RELAY, CAT connectors for exciter 1.
- 6) IN 2 ALC, RELAY, CAT connectors for exciter 2.
- 7) FUSE 2 fuse for the power supply; PA unit 12.5A (230 Vac), 20A (115 Vac).
- 8) FUSE 1 fuse for the power supply; electronic unit 0.5A (230 Vac), 1A (115 Vac).
- 9) AC mains power cable.
- 10) GND ground connector.
- 11) ON main switch.



## 2. GENERAL INFORMATION

(Read the specific chapters for more details).

### 2.1 Power supply

The amplifier's power supply is 230 / 115 Vac (230 Vac default).

The main switch [I/O] is located on the rear panel, in the [O] position all the internal circuitry is powered off, in the [I] position (red led ON) it is possible to turn ON or turn OFF the linear amplifier in one of the following ways:

- a) Using the [ON] / [OFF] keys on the front panel.
- b) Applying / removing 9 -15 Vdc on pin (8) of the CAT connector.
- c) Using the RS232 port and the management software. It is possible to download this software from the website [www.linear-amplifier.com](http://www.linear-amplifier.com).

*NOTE: When turned ON, almost all transceivers output 13,8 Vdc. With this voltage, the linear amplifier can be turned automatically ON / OFF at the same time as the transceiver.*

### 2.2 Input / Output

The linear amplifier has two inputs (INPUT 1, INPUT 2) to which it is possible to connect two transceivers of any brand or type. These inputs are selected with the [INPUT] key.

It can manage up to four antennas (ANT 1, ANT 2, ANT 3, ANT 4).

The amplifier selects antennas automatically when they have been programmed.

### 2.3 ALC / RELAY / CAT

There are two transceiver inputs (IN 1, IN 2), to allow two different transceivers to be connected at the same time.

**ALC** Is a voltage (0, -11 Vcc) generated by the amplifier, it is used to control the output power of the transceiver. In this way the power from the amplifier may be automatically controlled. This link is recommended.

If the ALC port is not connected, it is necessary to manually regulate the drive power from the transceiver.

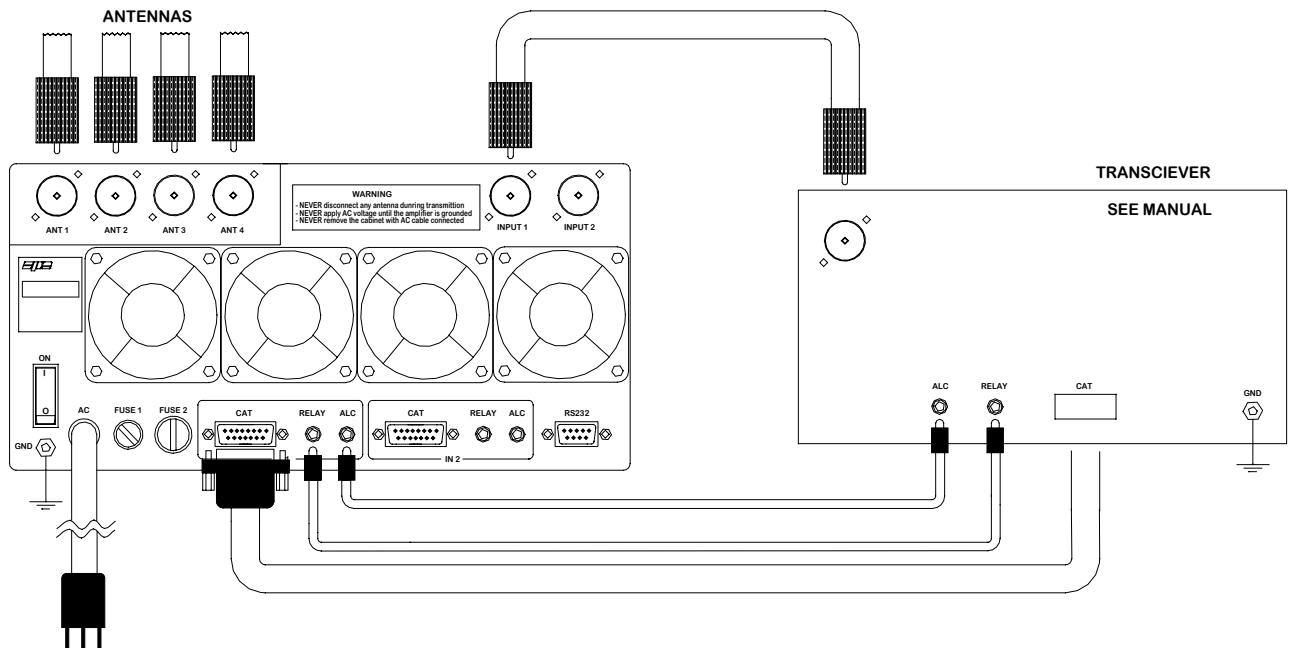
**RELAY** This essential link allows the amplifier to be put in the transmit state. To do that it is necessary that the inner pin of the phono connector is connected to signal ground. This is normally done at the transceiver with either a close on ground relay, or with a switching transistor. It is important that the voltages at that terminal do not exceed 12 Vdc. On the transceiver this link is often called SEND or TX GND. Refer to your transceiver manual for more details.

**CAT** Thanks to this link the linear amplifier will detect the operating frequency of the transceiver and then automatically control changes of band, antenna and automatic antenna tuner. Most modern transceivers have CAT control. In old models often, analog or digital information are sent for changing band. The SPE Expert 1K-FA, thanks to an efficient frequency counter, constantly controls and verifies data coming from the transceiver. Automatic management of bands, antennas and tuner can be done in the following way:

- a) In recent ICOM, YAESU, KENWOOD models, through CAT.
- b) In the older ICOM models, through "Band Control Voltage".
- c) In the YAESU models not listed, or without CAT, through "Band Data".
- d) In every other case through the frequency counter.

*NOTE: In case d) the CAT link with the transceiver is not needed because the frequency is detected from the transmitted signal.*

### 3. INTERCONNECTION WITH THE TRANSCEIVER



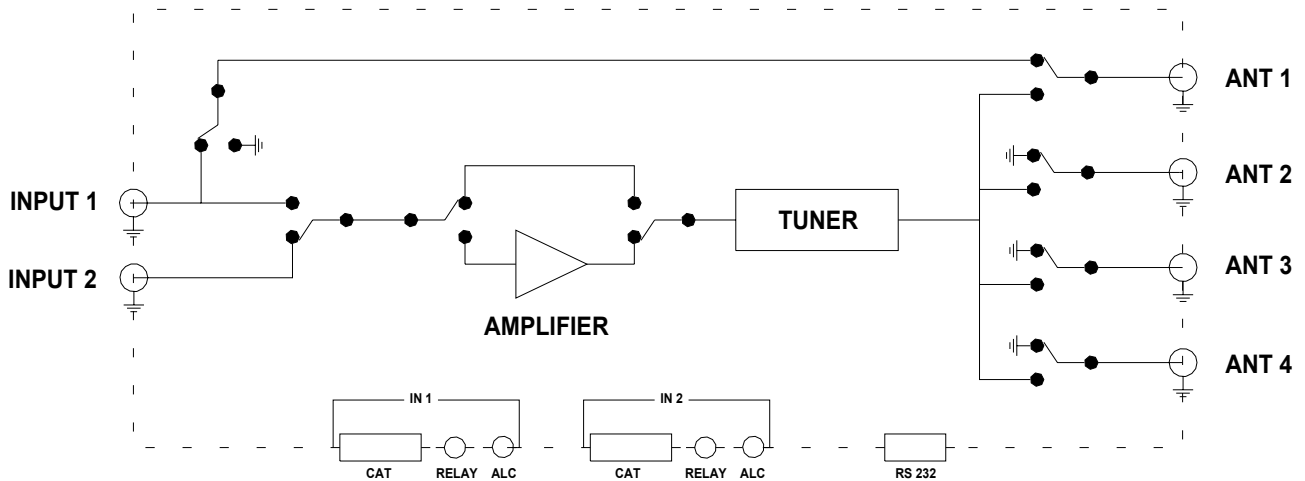
The diagram shows the connections with one transceiver only. To connect the second transceiver repeat the same connections using the port "IN 2".

For the ALC, RELAY connections, use the shielded cable (furnished) with phono RCA connectors.

For the CAT connection, the cable must be made for the transceiver to be connected. This cable may also be made to include ALC, RELAY ON / OFF (read the "CAT Connections" chapter of this manual).

For all other information about connecting a transceiver, please refer to its manual.

## 4. USE OF THE LINEAR AMPLIFIER



The position of the contacts, as shown in the diagram, is the situation of the linear amplifier in OFF state.


The linear amplifier can be used in the following ways:

- 1) OFF Only direct connection between INPUT 1 and ANT 1 exists.
- 2) STANDBY All the functions are activated (band change, antenna change, tuner control) but the transmission is from the transceiver only.
- 3) OPERATE All the functions are activated and the transmission is using the linear amplifier.

*NOTE: Regulation of the exciter's power is automatic through the ALC connection (the maximum power in STANDBY, the needed power in OPERATE). Without the connection, you have to manually regulate the exciter's power..*

*NOTE: For continuous duty cycle transmissions (RTTY, PSKxx, SSTV, FM, AM etc.) we recommend switching the power to "HALF" state.*

## 5. EXTERNAL GROUND CONNECTION

 **WARNING!** Before connecting an external ground as described below, check with a qualified electrician that your national wiring codes permit such a connection.

To reduce TVI, BCI and other RF problems it is sometimes helpful to connect the amplifier to a good RF ground.


The inductance of such a connection has to be low, so the connection to ground should be as short and direct as possible. Large-section copper conductors should be used for this purpose. Terminating the earth connection with a small metal plate is suggested.

The best solution is to have a ground stake, driven into the ground, and used only for the radio station.

Often good results can be achieved using correct earthing clamps, connected to the mains water supply pipe (attention, most water pipes are now in plastic).

DO NOT use central heating pipework.

AVOID the electric circuit ground of the building ( to be used for the 50/60 Hz safety only ).

 **WARNING! DO NOT** connect to gas pipes because there is danger of explosion !!

## 6. ANTENNA

Because this is a high-power amplifier, it is necessary to use correctly-rated antennas and feedline cables.

Take special care with antennas with traps, because trap warming can occur during periods of high-power transmission and a high SWR can result.

Always use antennas with SWR less than 1,6:1, even if the tuner is able to overcome some mismatches greater than 3:1.

With the tuner the PA is matched, but with a high VSWR, the cable is mismatched and there can be consequent loss of power, heating and high voltages present.

It is suggested that suitable static protection be given to antenna feeder cables.

## 7. POWER SUPPLY

The power supply unit of the SPE Expert 1K-FA has two blocks with two separate power transformers.

The first block has regulated and protected voltages, and powers all the electronic circuits for command and control.

The second block powers only the PA. It has a toroidal transformer with a low magnetic field to avoid disturbances to nearby equipment. The output voltages are 44 Vdc (on Full-power mode) and 30 Vdc (on Half-power mode), regulated with SCRs that also provide 'soft start' on switch-on.

This design was adopted as it provides maximum efficiency and therefore less heat to dissipate.

### 7.1 Mains cable termination

Your dealer will ensure that a mains plug appropriate for the country of use is fitted.

If the amplifier is used in a country other than that of the original purchase, refer to your dealer for assistance.

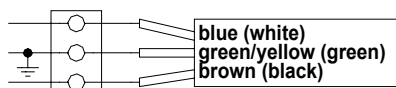
The default mains voltage supply of the amplifier is 230 Vac (210-250Vac).

To change this to 115 Vac (105-125 Vac). (USA customers and other countries with 115 Vac supplies) see below:

**⚠ WARNING! - REMOVE THE MAINS CORD FROM THE WALL SOCKET AND WAIT AT LEAST 2 MINUTES FOR CAPACITORS TO DISCHARGE.**

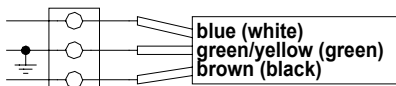
Only then, remove the bottom cover, the plastic protection and connect following the diagrams below:

#### Single-phase 3-wire line (210-250 VAC)

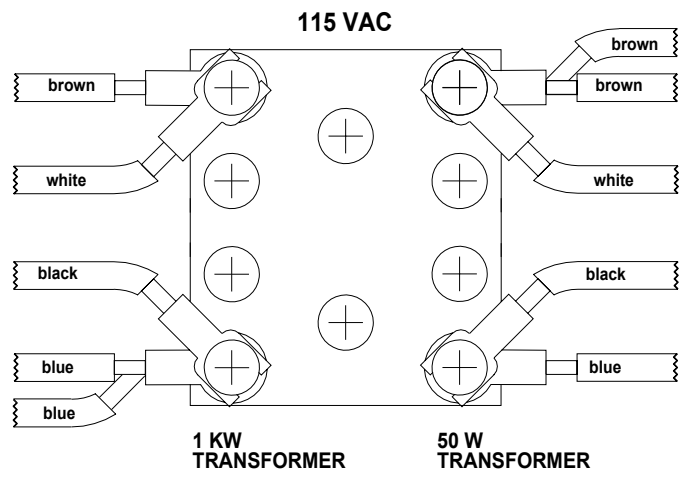
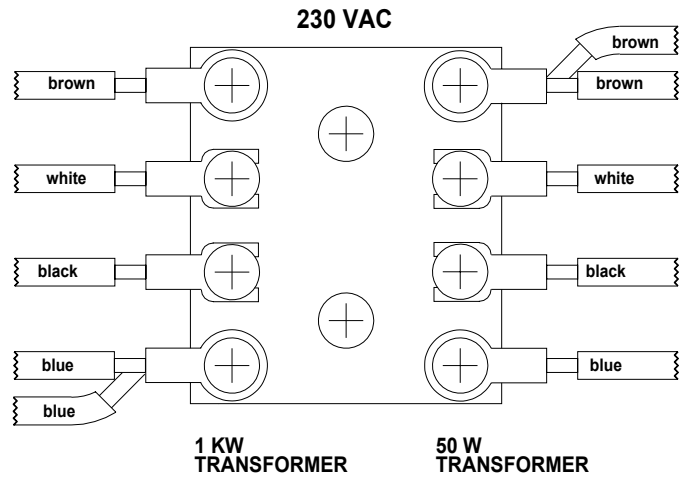


The green / yellow wire from AC power cable must be connected to the ground wire.  
The blue and brown wires from the AC power cable can be connected to either terminal.

#### Single-phase 2-wire line (105-125 VAC)



The green / yellow wire from AC power cable must be connected to the ground wire.  
The blue wire from AC power cable must be connected to the hot (live) wire.  
The brown wire from AC power cable must be connected to the return wire.



After checking your wiring, re-install the plastic protection, the bottom cover and make sure that in "Fuse 1" there is a 1A fuse and in "Fuse 2" there is a 20A fuse (included in the packaging). Mark the change of voltage on the back panel.

## 8. TUNER

The amplifier has an automatic tuner that handles load mismatches up to 3:1 VSWR (2,5:1 for 50 MHz).

The circuit used is a PI – L network with excellent harmonic suppression.

The amplifier contains a look-up table with all the permitted bands.

For tuner management, antenna data and other working data are stored.

Every band has a sub-band set, and for each of those, data related to the antenna and auto-ATU tuning is stored.

The CAT and the frequency counter detect the operating frequency and the correct sub-band. Thanks to the stored data, the tuner and the antenna are automatically set correctly.

For every input there is a different table. If two exciters are connected at the same time, each exciter can have different configurations.

It is possible to use the two different tables when the amplifier operates at two different locations. In fact it is possible to use the INPUT 1 at one and INPUT 2 on the other. In this way repeated reprogrammings are not needed

In the US version, operation on the 12 m and 10 m bands has been inhibited following FCC regulations. Authorized 12/10m operation of the amplifier by licensed radio amateurs will be enabled by the dealer there in accordance with current rules.

The auto-tuner and antenna selection via the amplifier are still enabled even in 12/10m inhibited units.

All auto-tuner functions remain, on standby, whilst using the transceiver only.

Setting of the match data to write in the tables is performed automatically by pressing the [TUNE] key. The system will then find the correct match for minimum SWR.

To achieve a better match than that achieved with the automatic tune routine (most unlikely) it is possible to set the tuning manually by using the keys [◀ C], [C ▶], [◀ L], [L ▶].

When manual tuning has been performed, it is possible to read the tuning value, the working frequency and the associated sub-band on the appropriate screen page.

Both the types of tuning are always effected in "STANDBY" state.

*NOTE: The tuner, like all analog circuits, introduces a loss (0,8 dB max.) that may vary with tuning conditions. The power meter of the amplifier does not show this loss as the power is measured at the tuner input where the load resistance is always constant (50 ohm).*

*NOTE: ATTENTION, When the amplifier is on the 'STANDBY' or 'OPERATE' modes, always disable the automatic tuner in your transceiver.*



## 9. PROTECTIONS / ALARMS

The SPE 1K-FA has a sophisticated protection system that constantly controls the amplifier's most important parameters.

These parameters are:

Temperature of the heatsink; max. / min. voltage on the PA; max. PA current; SWR; reflected power; max voltage RF on the tuner; input power; power combiner balance.

*NOTE: Unlike all the other linear amplifiers that measure only the reflected power of the antenna, to guarantee a greater protection of the PA, the SPE amplifier measures also the power of harmonics reflected by the band-pass filter.*

*NOTE: To guarantee the maximum efficiency with the same output power, the PA has three MRF150 push-pull amplifiers connected through a combiner.*

*NOTE: Temperature measurement is used also to control fan speed. The thresholds where the speed changes may be changed from NORMAL (default) or CONTEST (See the "Programming" chapter of this manual).*

The protection system is effected in two different ways:

- 1) Through hardware circuits to guarantee minimum intervention time.
- 2) Through software, with one of the two CPU's, to guarantee the maximum precision.

The two results are always compared, every difference produces a protection trip and consequent alarm.

There are three types of protections/alarms:

- |            |   |
|------------|---|
| a) SIMPLE  | This is the most common case. An acoustic warning beep sounds, but no operator intervention is required, as the control system automatically restores the correct operating conditions.   |
| b) SERIOUS | When automatic system recovery is not possible (e.g. the temperature climbs over the limits due to obstruction of the fans, SWR is too high, etc.). In this case the amplifier switches into standby state and the alarm is stored. Normally transmission can continue with the exciter only. |
| c) FATAL   | If the amplifier is in the b) situation but the CPU is faulty or it isn't able to operate, the amplifier is turned OFF with no other warning. To restart the amplifier, the main switch in the rear panel has to be set first to [O], and then to the [I] position                            |

*NOTE: It is possible to read the alarms file log in the standby state using the [DISPLAY] key. To reset the alarm file log press the [TUNE] and [OPERATE] keys together.*

*NOTE: If the acoustic alarm is very frequent during transmission, the possible causes should be investigated.*

*NOTE: Before the temperature limits are reached, the output power will change from FULL to HALF automatically, so that transmission with the amplifier may continue with reduced power.*

*In SSB the use of the compressor, only when necessary, strongly reduces the increase of the temperature.*

*If the temperature is allowed to rise further, then a "SERIOUS" alarm will eventually be activated.*

*NOTE: During a SERIOUS alarm, there is an acoustic alarm for 30 sec. Pressing the [DISPLAY] key, the system changes to 'STANDBY' state immediately.*

## 10. PROGRAMMING

The three [SET], [◀▲] and [▶▼] keys, underlined with an orange line, permit programming the amplifier and they can be used in the following way:

[SET] Use it to open the menu page, to validate the choices and to exit from the menu page.

[◀▲], [▶▼] Use these to select the options.

A green led illuminates during the programming process.

To program the system is very easy. You will find your programming choices confirmed by the items shown at the lower part of the display.

*NOTE: Programming is only possible in 'STANDBY' mode.*

*NOTE: Programming changes take effect only after exiting from the menu page (the green led extinguishes).*

### 10.1 Ways to operate

Pressing the [SET] key opens the menu page. On the display there are the following options:

```

----- SETUP OPTIONS vs. IN 1 -----
ANTENNA          CONTEST off
CAT              BEEP   on
MANUAL TUNE
BACKLIGHT       QUIT

----- SET ANTENNAS vs. BANDS -----
[◀▲] [▶▼]:SELECT          [SET]:CONFIRM
    
```

a) ANTENNA An appropriate antenna may be assigned to each band selecting the (ANT 1, ANT 2, ANT 3, ANT 4) connector.

If you don't have an antenna for a particular band, input "NONE".

```

----- SET ANTENNA vs. IN 1 -----
160 m: 3          20 m: 1          10 m: 1
80 m: 3           17 m: 2          6 m: 4
40 m: 3           15 m: 1
30 m: NONE       12 m: 2          SAVE

----- SET ANTENNA FOR 6 m BAND -----
[◀▲] [▶▼]:SELECT          [SET]:CHANGE
    
```

- b) CAT Allows you to program the amplifier to accept control commands from specific transceiver types.  
 You may need to refer to your transceiver user manual to ensure that it is correctly programmed to handle such a link.

```

----- SET CAT vs. IN 1 -----
SPE ██████████ KENWOOD      RS-232
ICOM                YAESU      NONE

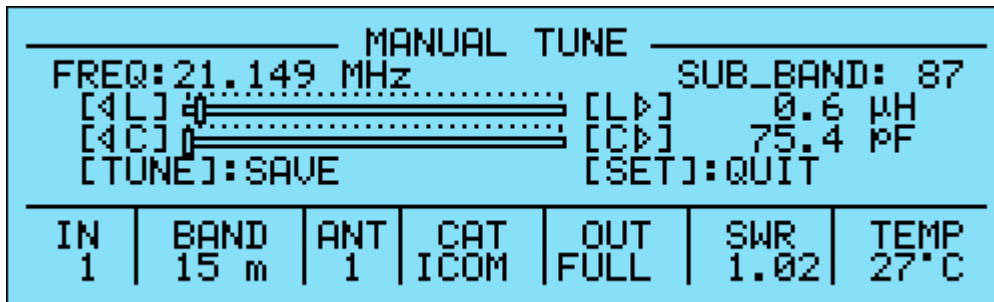
----- SET CAT INTERFACE -----
[←] [→]:SELECT          [SET]:CONFIRM
    
```

Select the brand or function:

- SPE No further programming is necessary, all is already programmed for the SPE transceivers.
- ICOM You need to choose between “CI-V“, or “Band Control Voltage “ if you use the analog connection (read the “CAT CONNECTION” chapter of this manual).  
 If you choose “CI-V“, you also need to choose the baud rate which is usually 9600.
- KENWOOD You have to choose the baud rate (almost always 9600).
- YAESU If you use the CAT connection (read the “CAT CONNECTION” chapter of this manual), select the model of the transceiver and then select the baud rate (almost always 4800). If the model isn't in the list, select “Band Data“ (read the “CAT CONNECTION” chapter of this manual).
- RS232 With a proper protocol it is possible to use this port not only as a remote control but also as a CAT port (useful to link the linear with any customer application).  
 Download the protocol specification from the website [www.linear-amplifier.com](http://www.linear-amplifier.com)
- NONE Program when there isn't a link with the Transceiver.  
 The amplifier frequency counter will then be used .

**NOTE:** If using the CAT, check that the baud rate of your transceiver is set to the same value as you program to the amplifier.

c) **MANUAL TUNE** Allows you to tune the amplifier manually. However, achieving a better setting than that obtained by automatic tuning is very unlikely.



Set your exciter to transmit a continuous RTTY or CW signal. Press the [◀ L], [L ▶], [◀ C], [C ▶] keys until you obtain the minimum SWR.

The operating frequency and the sub-band are also shown on the display.

*NOTE: The tuning process has to be repeated for every entry (INPUT1, INPUT 2).*

d) **BACKLIGHT** Regulates the backlight of the display.

*NOTE: Display contrast has to be set manually. Remove the upper cover and adjust through the hole at the upper right of the CPU card. Adjust only if it is necessary, and use an insulated screwdriver with care.*

e) **CONTEST** Permits programming two fan thresholds for normal operation (Normal) and heavy-use (Contest).  
 off : Normal (65 °C, 75 °C).  
 on : Contest (60 °C, 70 °C).

f) **BEEP**  
 on : All acoustic warnings alarms operate and a beep confirms a keystroke.  
 off: When you press a key there is no beep feedback, but for all warning conditions and alarms, the acoustic warnings are still functional.

## 11. INITIAL OPERATION OF THE AMPLIFIER

Before turning ON the amplifier, the following preliminary operations are necessary:

- 1) Read this manual with care.
- 2) Be sure that the amplifier is correctly set for the local mains voltage supply.
- 3) Connect the linear to ground circuit
- 4) Connect the antennas.
- 5) Connect the amplifier to the transceiver (read the "CONNECTIONS WITH THE TRANSCEIVER" chapter of this manual)

Operate [I] the main switch on back panel, and press the [ON] key on the front panel. Select the INPUT for the transceiver, and always carry out programming with the amplifier in STANDBY. If you change INPUT you have to repeat this programming.

*NOTE: You may have to repeat some programming if you change antenna, transceiver, etc.*

*NOTE: ATTENTION the 'RELAY' and 'CAT' signals in some types of transceivers are only turned ON from a transceiver MENU. Refer to the user manual.*

*NOTE: ATTENTION, when the amplifier is on the 'STANDBY' and 'OPERATE' modes, always disable the transceiver auto-ATU.*

### 11.1 Initial Programming

You must carry out the next steps in the sequence below:

#### a) Set Antenna.

Press [SET] and open the "ANTENNA" menu page.

Assign an appropriate antenna for the band concerned. If you don't have an antenna for a band, input "NONE".

When all the antennas are programmed, exit and go back to STANDBY.

To verify the correctness of the programming, press the [ANT] key, the band / antenna programmed will be shown.

#### b) Set CAT.

Press [SET] and enter the "CAT" menu page.

Select the transceiver brand and progress with programming according to the type of connection between the amplifier and the transceiver (read the "CAT CONNECTIONS" chapter of this manual).

At the end of programming, exit and go back in STANDBY.

To verify the correctness of programming, press the [CAT] key, and all the data stored will appear on the display.

To verify the correct "CAT" operation, press [SET] and select "MANUAL TUNE", While changing your transceiver VFO, you should see the amplifier frequency display follow. Then return to STANDBY.

In the same way, if "BAND CONTROL VOLTAGE" or "BAND DATA" are connected, check that the amplifier follows band changes at the transceiver. If it does not, verify that your programming (or your link) has been done correctly.

#### d) Use of Automatic Tuner

To complete the programming it is necessary to match the antennas to the amplifier by operating "TUNE" (read the "TUNER" chapter of this manual). We recommend you to select each band (with available antenna) and then program the tuner for the sub-bands within which you will operate. Refer to the table in section 18 of this manual to select the appropriate sub-bands for your operating preferences.

Progress as follows:

- 1) Find the central frequency of the sub-band to tune in the table (refer to section 18 of this manual) and set the transceiver to that frequency.
- 2) Set your transceiver to transmit a continuous tone in RTTY or CW.
- 3) Press the [TUNE] key. The procedure for automatic tuning will start and then it will stop when SWR is at a minimum. Sometimes it is possible to improve tuning by pressing the [TUNE] key again.
- 4) Repeat the previous steps for all bands and sub-bands you want.

*NOTE: If the ALC link is not used, it is preferable to reduce the transceiver power to about 50 Watts during this operation.*

*NOTE: As a default, the table is programmed for standard 50 ohm out. If, for a band, you want to reset to default programming, progress as follows:*

- Go to the "ANTENNA" menu page and set this band to "NONE", then exit from that page.
- Go to the "ANTENNA" menu page again, assign the appropriate antenna to this band, then exit from that page.

*The programming will be reset for 50 ohm output.*

**The initial programming concludes after steps a), b), c).**

## 11.2 Operating

You need few precautions when using the amplifier thanks its high level of automation. SPE reminds you that it is better to lose a fraction of dB in transmitted power, by slightly reducing the drive power, than to over-drive the amplifier and have a poor quality transmission.

During transmission check the parameters on the display always, because SPE has selected, designed and adjusted them with care.

SPE recommends (using the ALC link) that the transceiver should be set to its maximum drive power.

To reduce the amplifier output, if required, it is then necessary only to set the amplifier to "HALF" power state rather than changing the transceiver drive power.

Of course you may also regulate continuously the amplifier output power by changing the level of drive power from your transceiver.

If less output power than 500 Watts is desired, it is preferable, for best efficiency, to start to reduce drive from the "HALF" power state.

## SETTING DRIVE LEVELS

- a) SSB: Regulate the "MIC GAIN" of the transceiver until, speaking normally into the microphone, the signal peaks on the display don't quite reach the maximum rated output power. Monitoring the transmission is a good way of checking your settings. If there is however some distortion, decrease the "mic gain" or decrease the power of the transceiver until a small reduction of the output power of the amplifier is seen.
- b) CW: In key down, you get the maximum output power automatically. Check the "PW REV". If it shows more than 120/140 Watts, decrease the power of the transceiver until that value or less is noted.
- c) RTTY, DIGITAL MODES, SSTV, FM: SPE recommends you operate in 'HALF' mode because these types of transmission have a very high duty cycle. Check "PW REV", and if it shows more than 120/140 Watts, decrease the power from the transceiver. In case of very heavy use, it is advisable to work in "Contest" condition to take advantage of the greater efficiency of the fans.
- d) AM This transmission mode radiates a continuous carrier which is 25 % of its PEP value (400W PEP AM = 100W carrier power). SPE recommends you always operate in 'HALF' mode for AM. To get an output signal without distortion, proceed as follows: transmit the AM carrier only, with your transceiver "MIC GAIN" set to zero, and no modulation. Set the transceiver without exceeding 125W of carrier output from the amplifier. Then, speaking into the microphone normally, set the "MIC GAIN" of the transceiver until the peak output power, on speech peaks, as shown on the amplifier display, is no more than 500W. Note that because of the modulation characteristics of AM, the average value shown will normally be much less. SPE suggests you monitor your transmission to check that the "MIC GAIN" setting is correct. In case of very heavy use, it is advisable to work in "Contest" condition to take advantage of the greater efficiency of the fans.

*NOTE: If you choose to set the output power of the amplifier by varying the output power of the transceiver, the ALC connection is not required.*

*NOTE: ATTENTION, never stress uselessly the amplifier with long periods in key-down, it can be a possible cause of damage.*

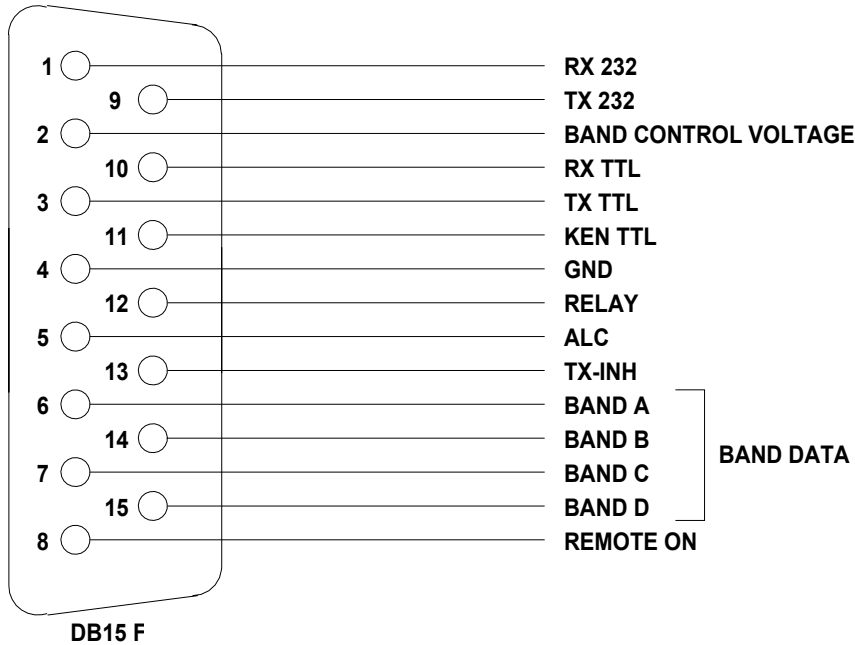
*NOTE: ATTENTION, in SSB using the compressor when necessary, it is possible to heavily reduce the temperature increasing.*



## 12. CAT CONNECTIONS

### 12.1 CAT Connector

In this diagram the rear panel CAT connector and pinouts are shown



pin n°	pin name	Description
1	RX 232	Used on Kenwood and Yaesu transceivers for the link with a RS-232 connection.
9	TX 232	
2	BAND CONTROL VOLTAGE	Analog band switch on the Icom transceivers.
10	RX TTL	Used on Icom, Kenwood and Yaesu transceivers for the CAT 5V TTL connection.
3	TX TTL	
11	KEN TTL	Connect to GND if CAT 5V TTL Kenwood connection.
4	GND	Signal ground.
12	RELAY	Connected in parallel with the RCA phono RELAY connector.
5	ALC	Connected in parallel with the RCA phono ALC connector.
13	TX - INH	Used to improve the receive / transmit switching efficiency.
6	DATA A	Bit A of Band Data (digital switch of band for Yaesu).
14	DATA B	Bit B of Band Data (digital switch of band for Yaesu).
7	DATA C	Bit C of Band Data (digital switch of band for Yaesu).
15	DATA D	Bit D of Band Data (digital switch of band for Yaesu).
8	REMOTE ON	Applying a voltage from 9 to 15 Vcc, turns the amplifier ON.

Using the above information, an appropriate cable for your transceiver(s) may be constructed, or you might wish to order a correctly made-up cable when you order your amplifier from your local dealer. The amplifier connector is included with the amplifier, and the transceiver connector (called "Radio" in the next diagram) is usually supplied with the transceiver.

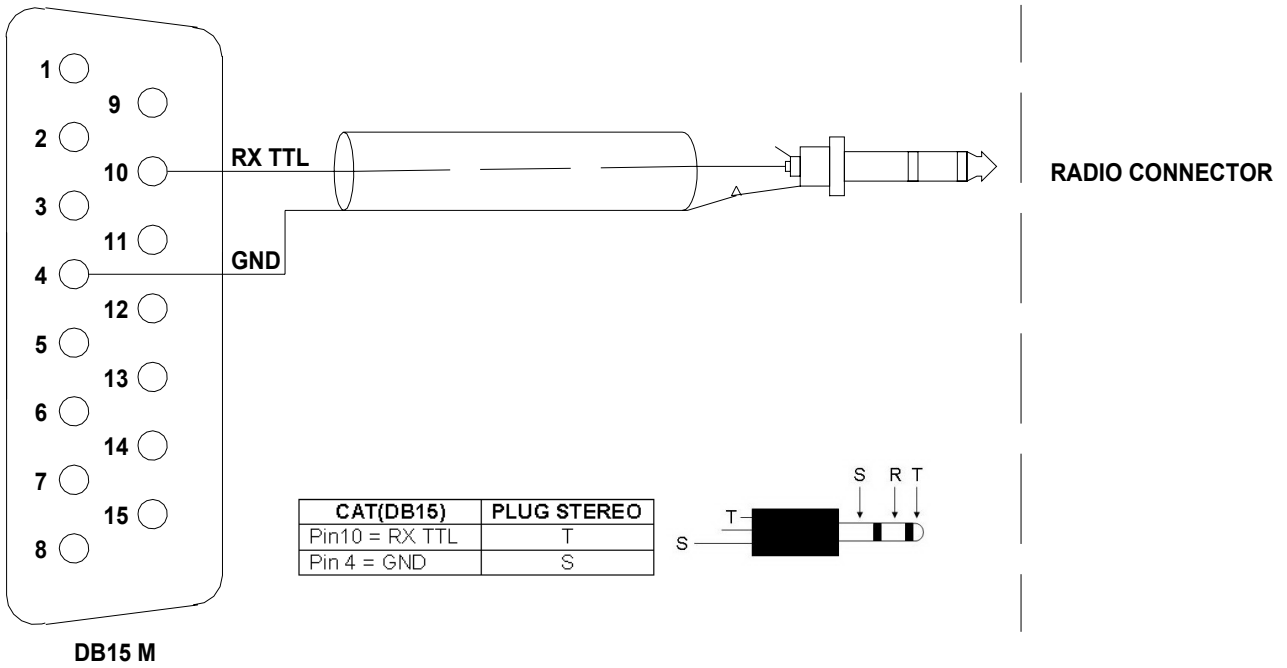
For connections to the Radio connector, refer to the transceiver operating manual.

### 12.2 SPE

In the case of SPE transceivers, it isn't necessary to make a cable because it is supplied with the transceiver.

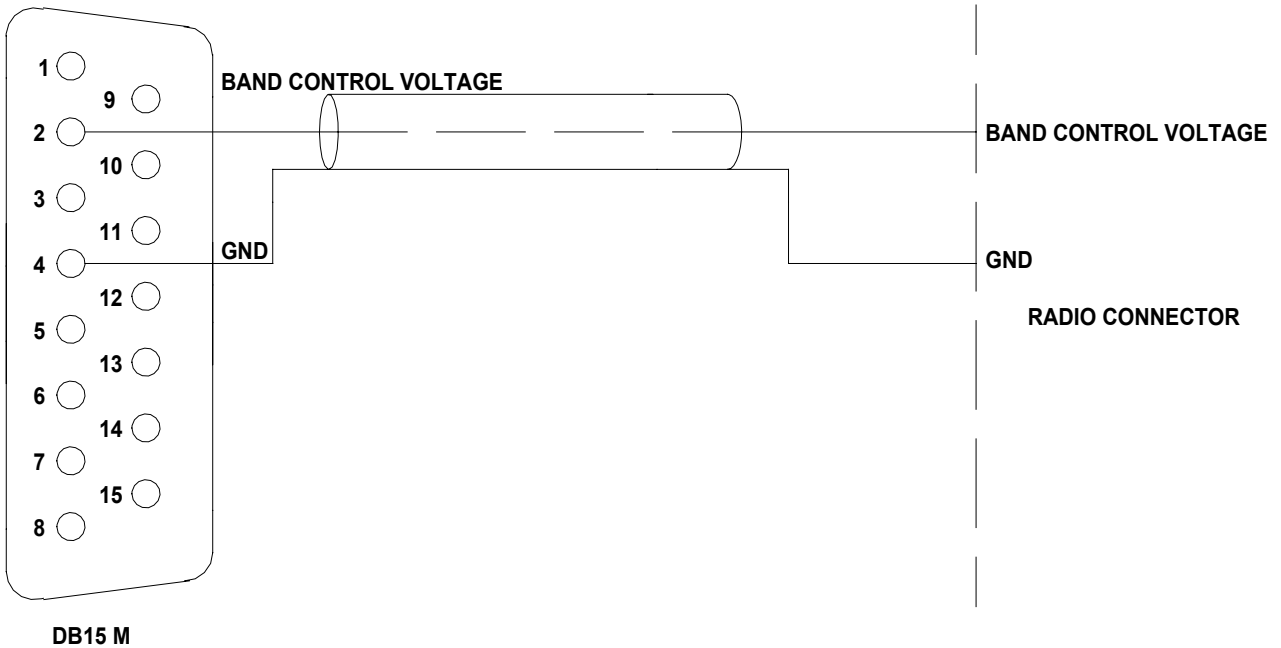
### 12.3 ICOM

#### CAT CI-V Interface



This interface is standard for all the Icom models equipped with CAT, the cable always terminates to a 3,5 mm. plug

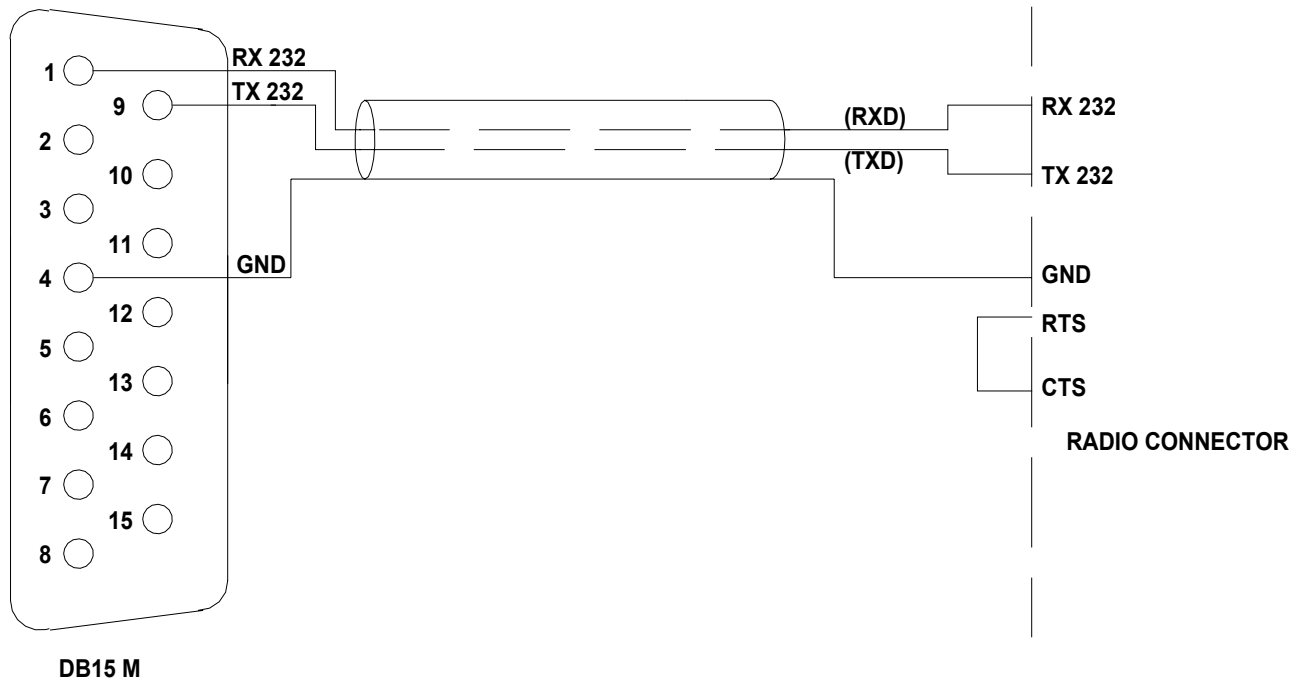
#### BAND CONTROL VOLTAGE Interface



This interface is standard for all the Icom models not equipped with CAT. The change of a voltage determines the change of band.

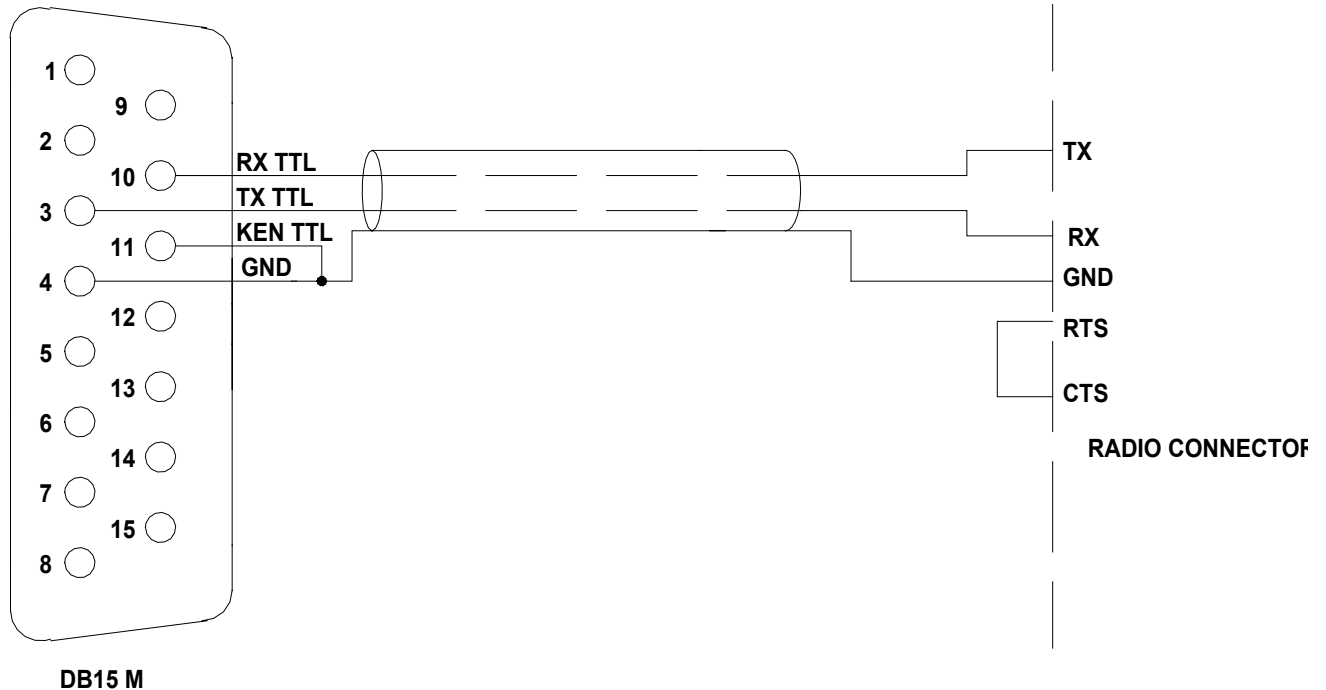
## 12.4 KENWOOD

### CAT RS232 Interface



The Radio connector could be DB-9 or DB-25 male connector or female connector (read the specific manual). In the manual also verify if the RTS–CTS link is necessary.

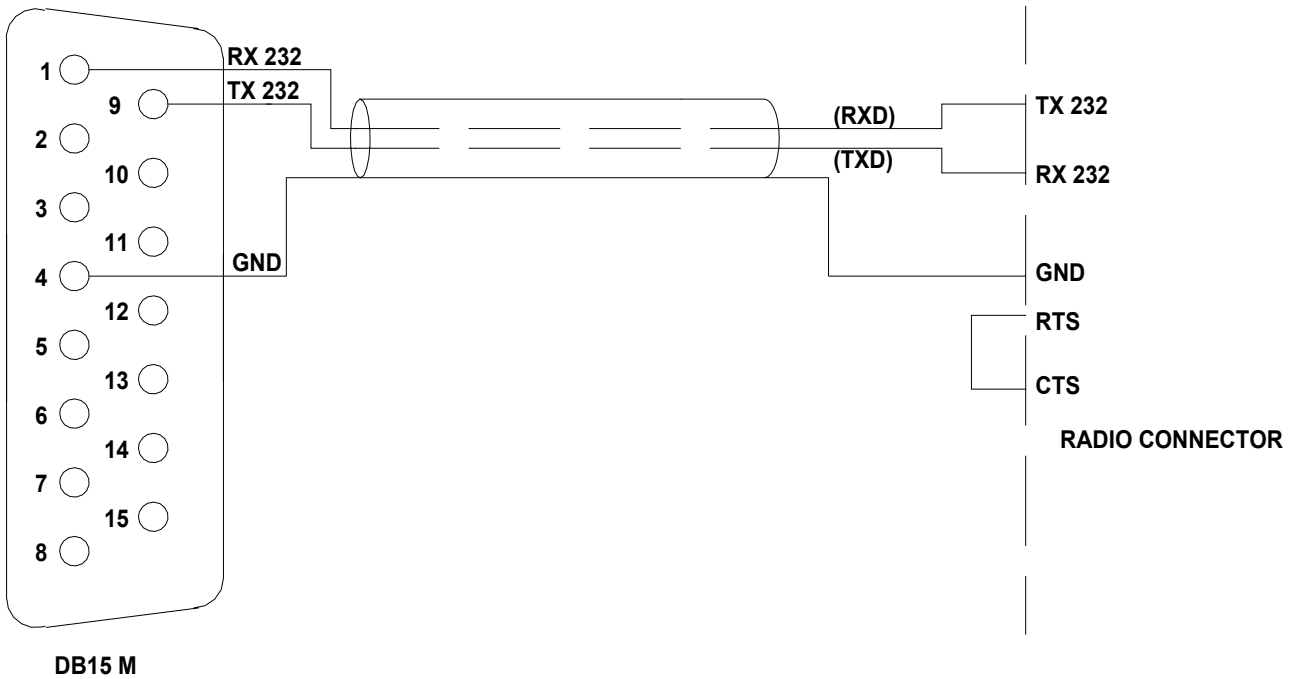
### CAT 5V TTL Interface



The connector is described in the specific manual. Verify if the RTS–CTS link is necessary.

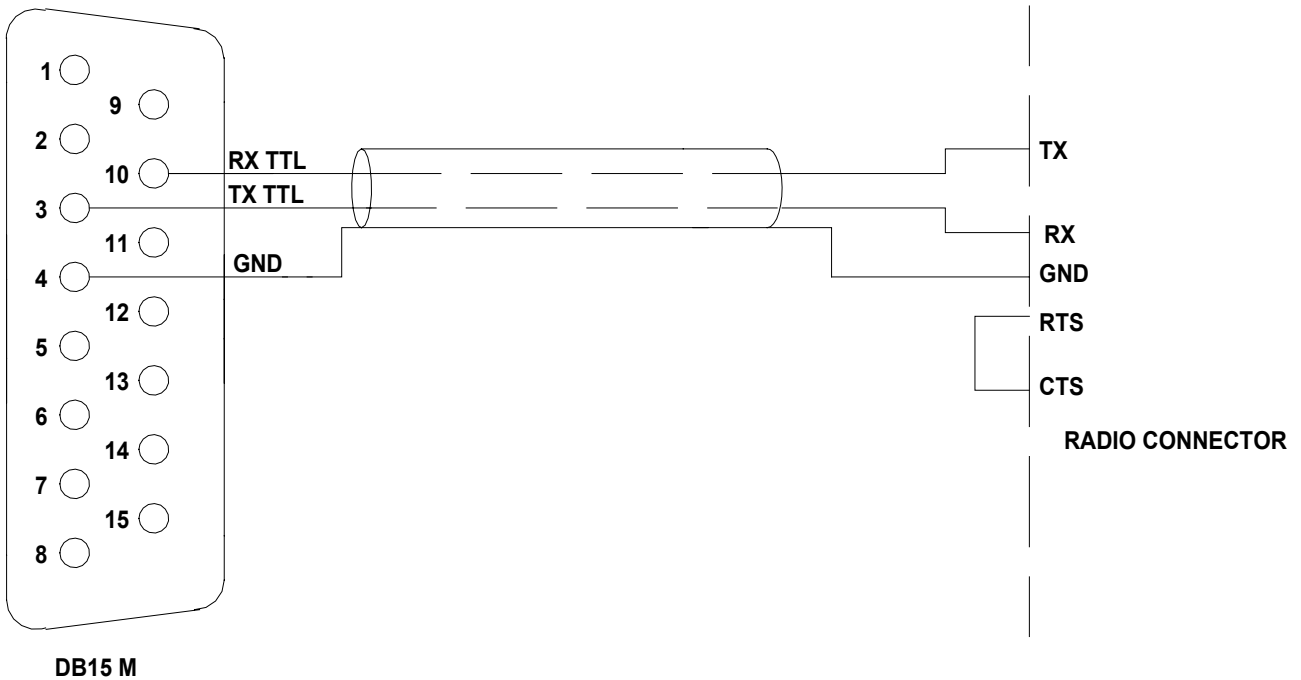
## 12.5 YAESU

### CAT RS232 Interface



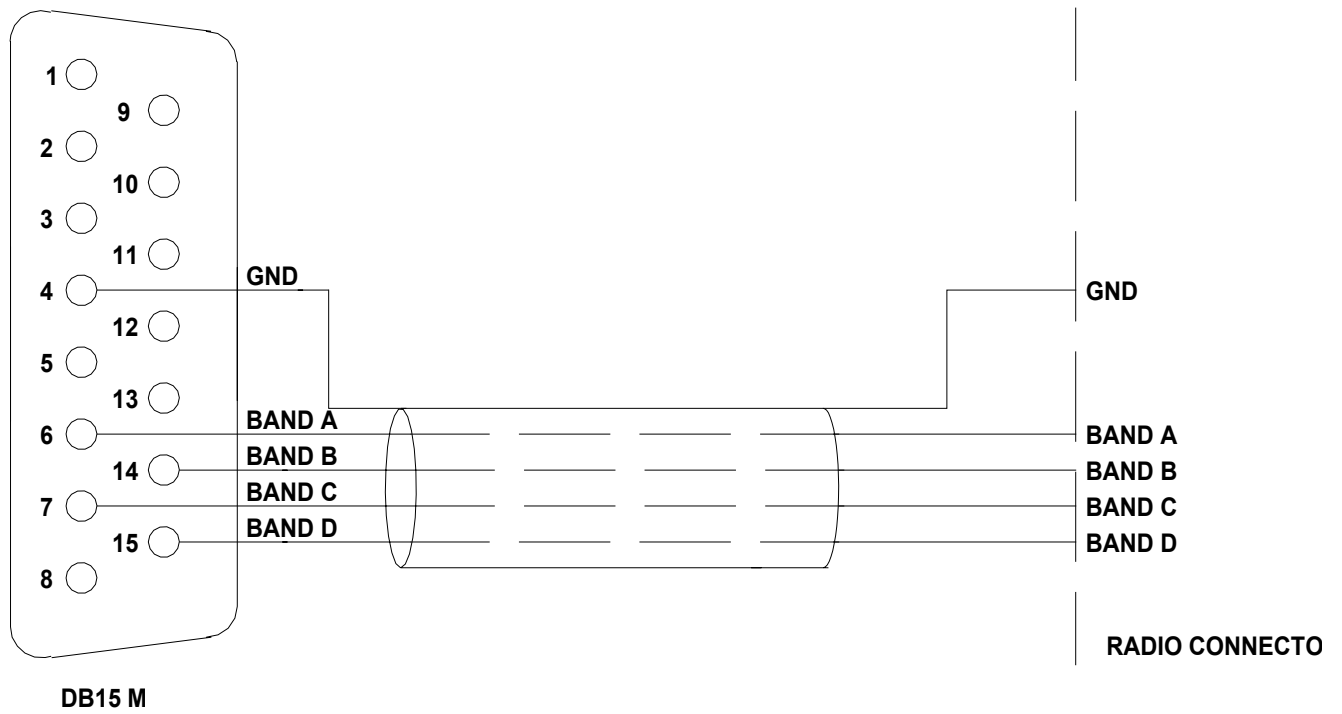
The Radio connector may be a DB-9 or DB-25 male connector or female connector (read the specific manual). Verify from the manual if the RTS–CTS link is necessary.

### CAT 5V TTL Interface



The connector is described in the manual. Verify if the RTS–CTS link is necessary.

BAND DATA Interface



Without the CAT, the band is commanded by four digital signals (Band A, Band B, Band C, Band D). Refer to the specific manual.

## 12.6 TRANSCEIVERS OF OTHER BRANDS

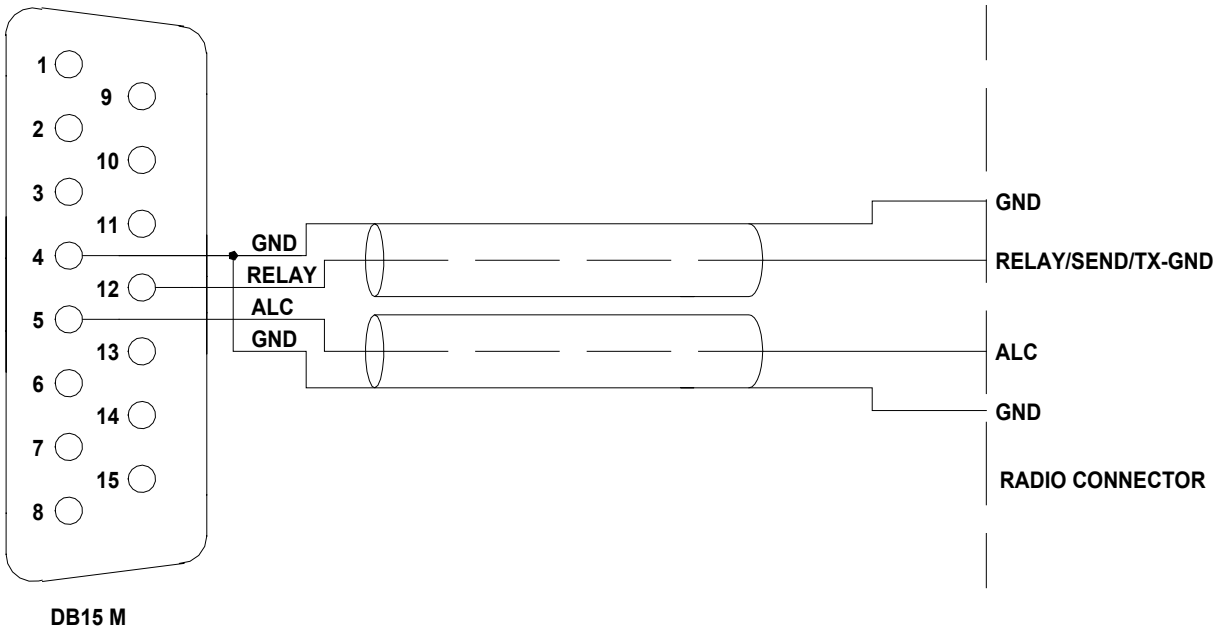
A special link is not necessary as the internal amplifier frequency counter will measure the input frequency and will control the amplifier.

## 13 OTHER CONNECTIONS

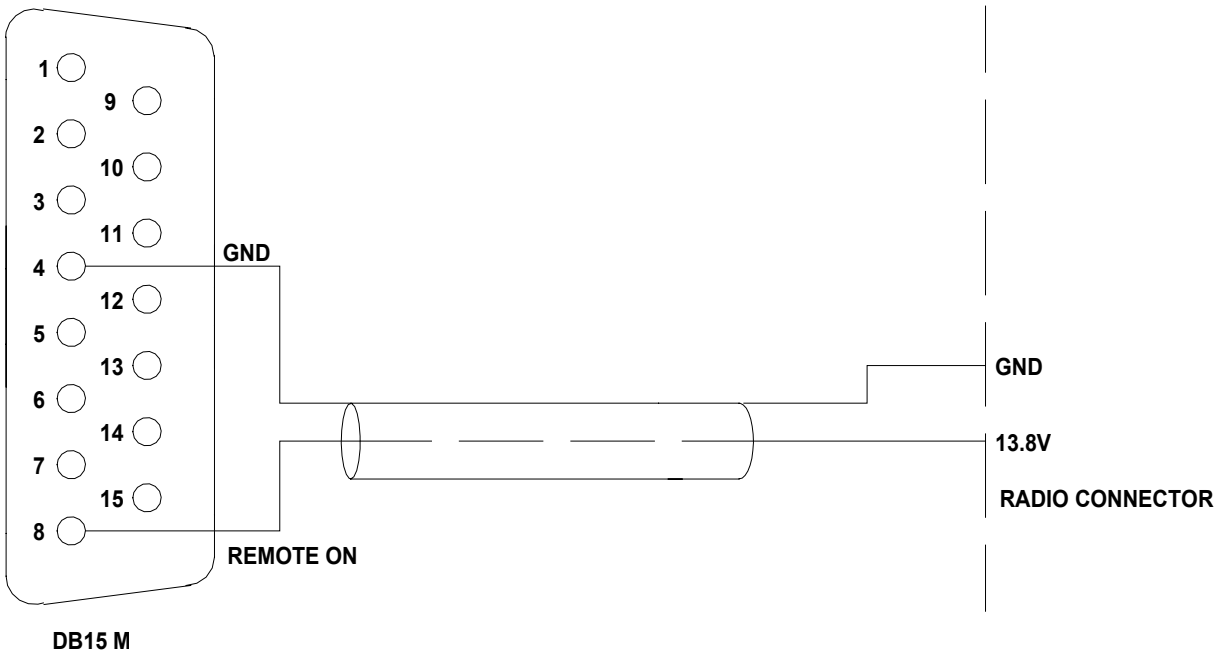
On the 15-pin connector, in addition to the CAT signals, the ALC and RELAY signals are repeated, REMOTE ON and TX – INH are also available. If you use this connector, in some cases, separate ALC and RELAY cables may not be necessary, or it may be possible to turn the amplifier on / off by turning on / off the transceiver (REMOTE ON). The following diagram shows how to integrate all transceiver control connections to the 15-way amplifier connector.

Check the transceiver handbooks for terminating that end of the cable.

### 13.1 ALC, RELAY CONNECTIONS

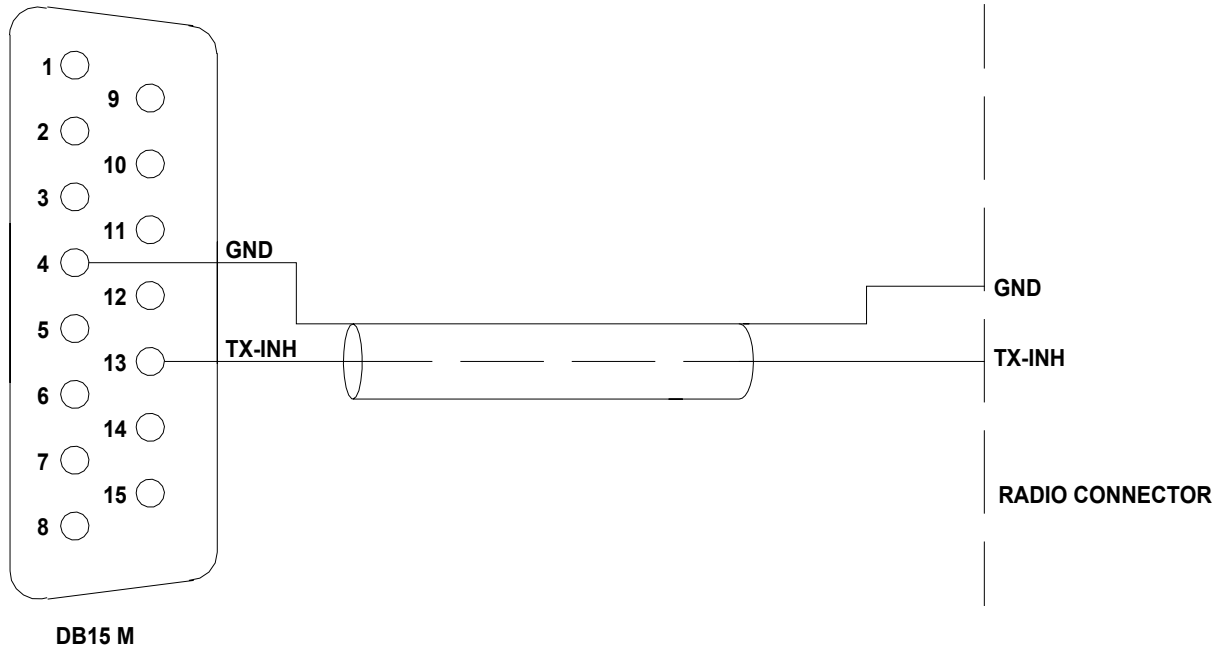


### 13.2 REMOTE ON LINK



### 13.3 TX INH LINK

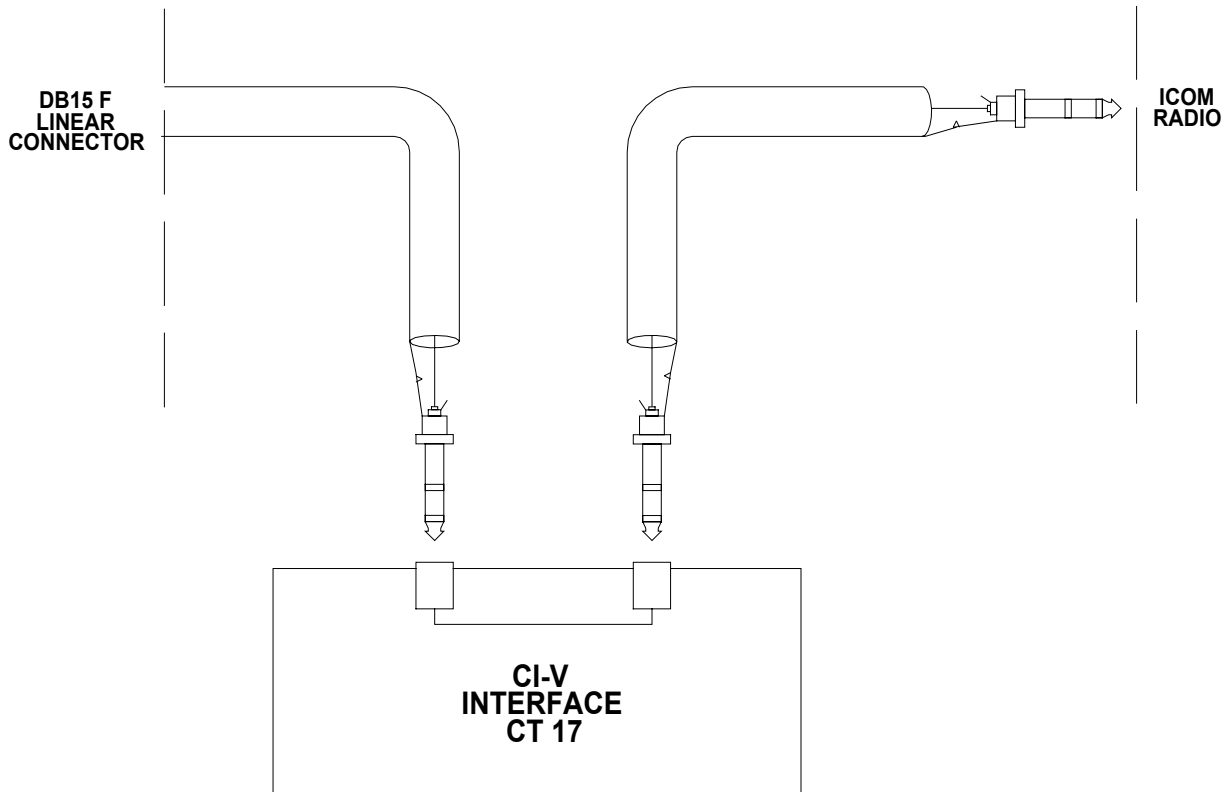
Some transceivers have a suitable input (called TX – INHIBIT, LINEAR, MUTE, etc.) that disables transmission. To improve the receive / transmit switching efficiency it is highly recommended, but not mandatory, to connect this input with the pin 13 of the linear connector (TX – INH).



## 14. TRANSCEIVER CONTROLLED WITH A PC

If the transceiver is controlled with a PC using the CAT utility, the user should consider this situation for the link with the amplifier.

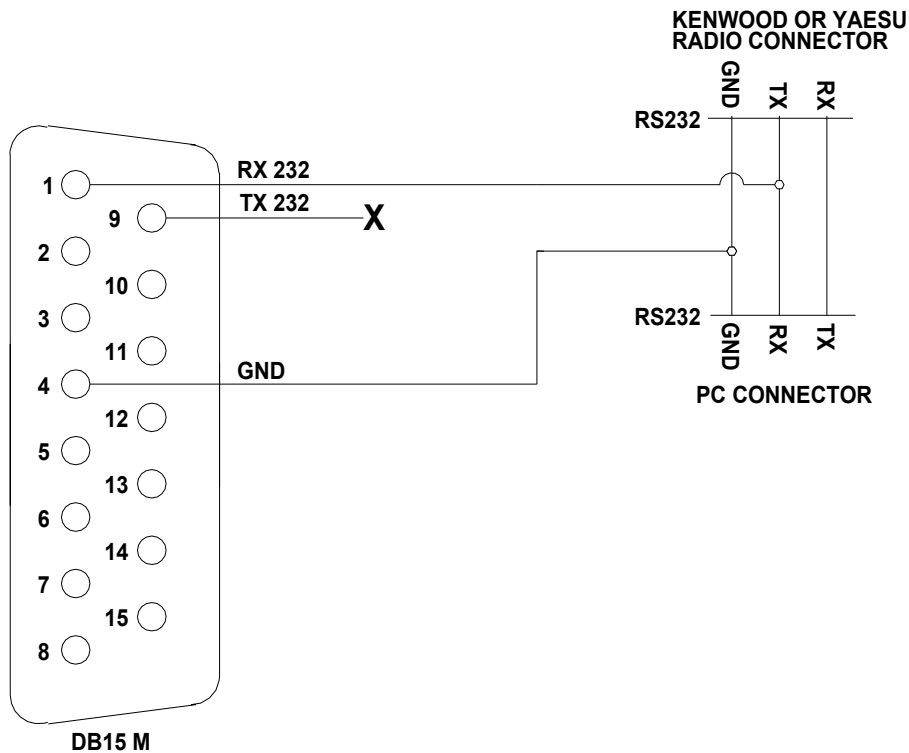
### 14.1 ICOM CI-V INTERFACE



The plug from the amplifier has to be connected to a CI-V port of the CT17 or similar device. The transceiver has to be connected to another CI-V port.

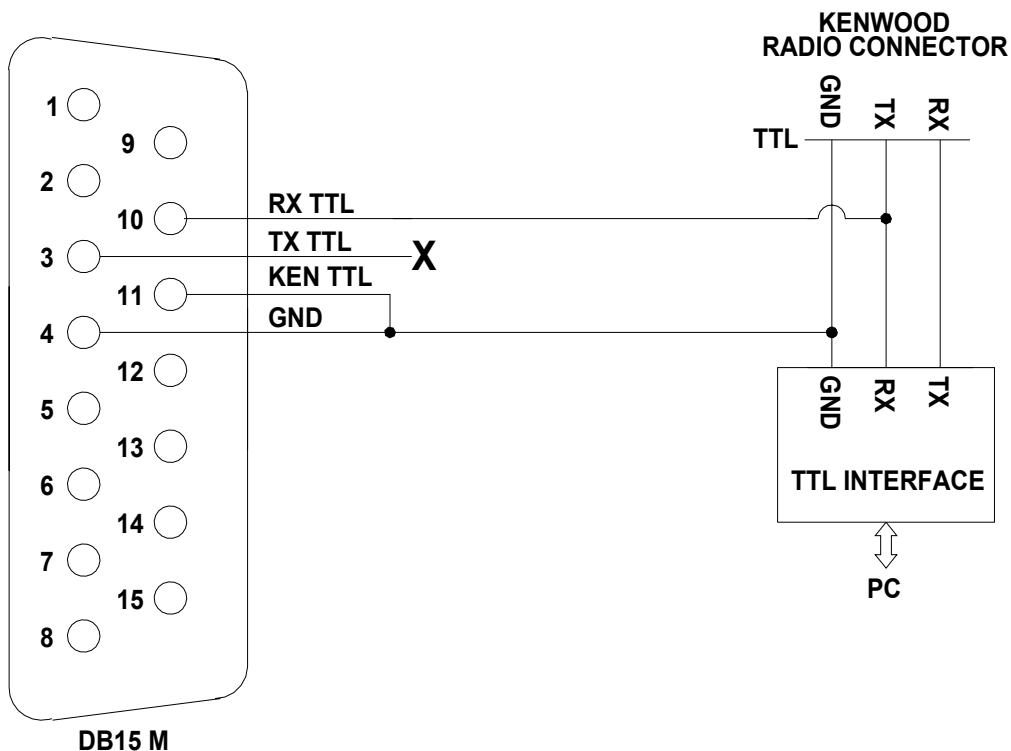


## 14.2 RS232 INTERFACE



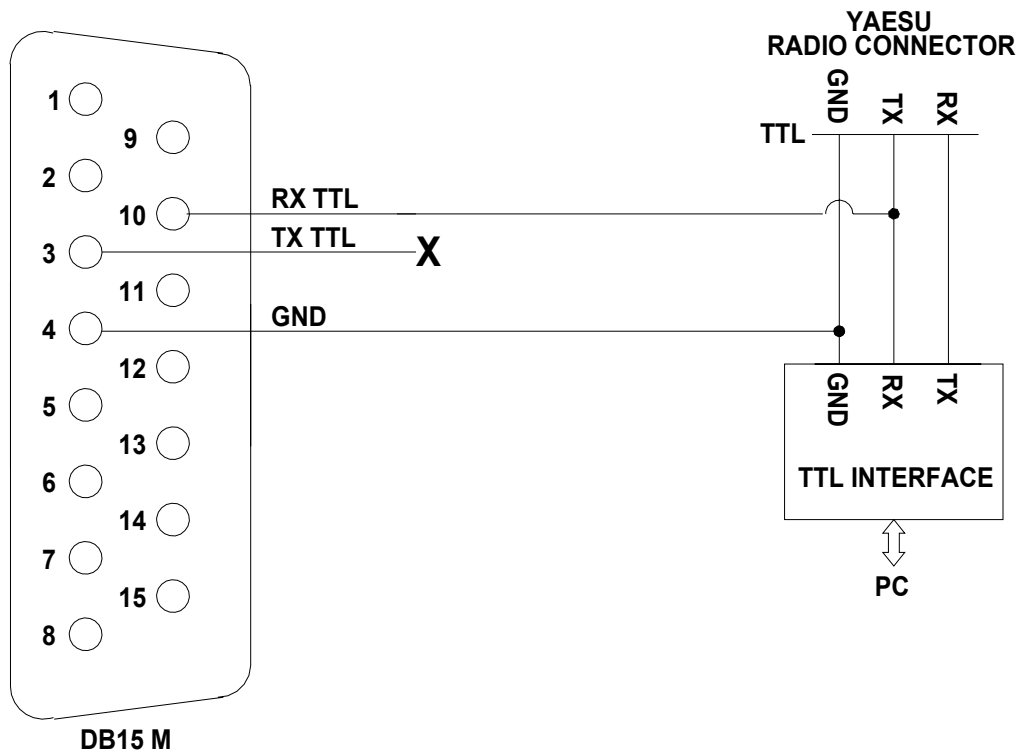
This type of link is the same both for Kenwood and Yaesu  
 On the other end of the cable it is necessary to link only GND and RX 232.

## 14.3 5V TTL KENWOOD INTERFACE



The links on the linear connector side are the same.  
 On the other end of the cable it is necessary to link only GND and RX TTL.

## 14.4 5V TTL YAESU INTERFACE

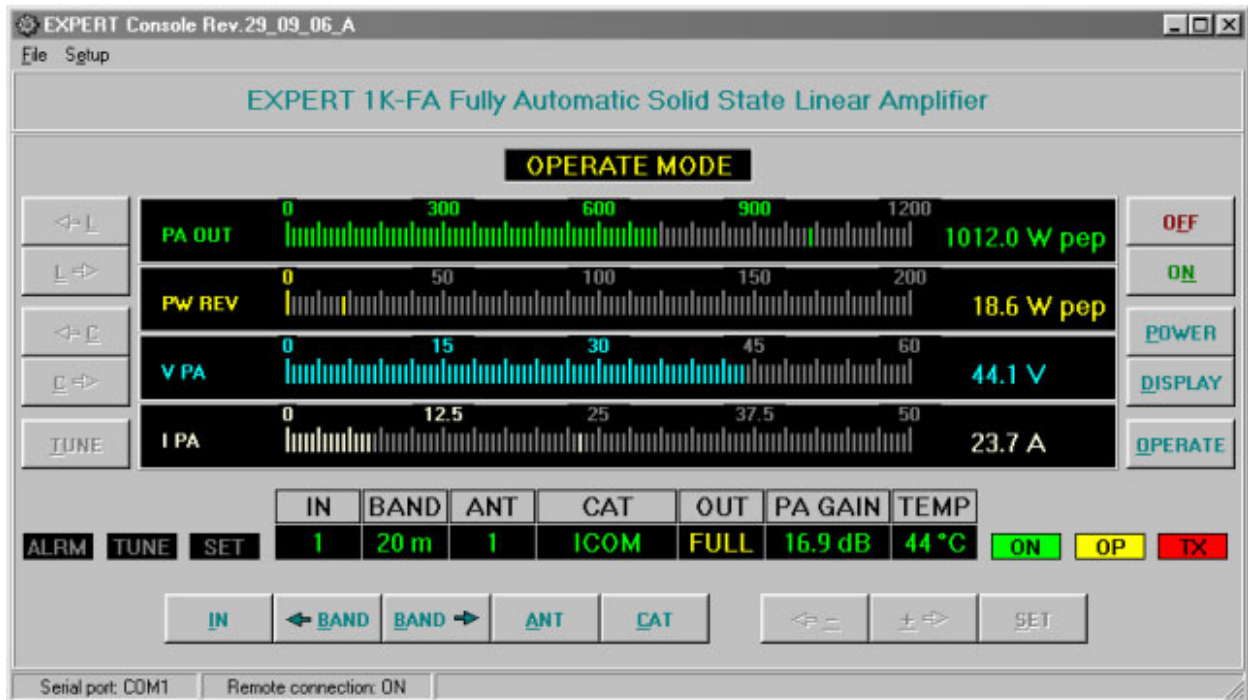


The links on the linear connector side are the same.  
On the other end of the cable it is necessary to link only GND and RX TTL.

## 15. USE OF THE RS-232 PORT

Through the RS232 port it is possible to interface the amplifier with a PC.

It is possible to download from the website [www.linear-amplifier.com](http://www.linear-amplifier.com) the software that permits interfacing the amplifier in a remote way, connecting the amplifier to a PC with the supplied cable.



On the same website there is, for programmer use, a protocol specification that permits creation of a proper software application.

*NOTE: SPE doesn't take any responsibility for these applications.*

## 16. MAINTENANCE

The Expert 1K-FA linear amplifier doesn't need internal maintenance because it has a cover without ventilation holes. No tube-type EHT is used so the high voltages present in tube amplifiers, which sometimes attract dirt, are not present.

The user has only to periodically check the cleaning of the air filter on the front panel.

The frequency of such operation depends how dusty the amplifier location is and how much it is used. We recommend monthly cleaning of the filter.

To clean the filter

- a) Remove the front grid.
- b) Remove the filter and clean it with care.
- c) Reassemble the filter and the grid after having carefully cleaned the mechanical structure that includes them.

*NOTE: Check the filter if an unexpected rise of temperature is noticed.*

*NOTE: Never operate without the filter, as dust could be deposited on the surface of the heatsink limiting its ability to cool.*

*NOTE: To allow the most efficient heat-dissipation, large copper parts have been used.*

## 17. CHARACTERISTICS / SPECIFICATIONS

- **The smallest in the world**  
Built-in Power supply and Automatic Antenna Tuner.  
Dimension: w 28, h 14, d 32 cm. (connectors included).  
Weight: approx. 20 Kg (18,5 Kg typ.).
- **The most technologically advanced in the world**  
Two CPUs are used, one of which is dedicated to the transceiver interface requirements (CAT).  
Pi-L output circuit.  
Over 13000 lines of software for performance that cannot be found in any other amplifier.
- **Fully Automatic**  
Easy connection with all models "ICOM, YAESU, KENWOOD" for immediate management of the bands, tuner and antennas.  
Same performance with all makes or homemade rigs.  
The operator has only to move the "Frequency Tuning Knob" in the transceiver!!!
- **Wide frequency coverage**  
1.8 MHz to 50 MHz including WARC bands (US version available).
- **Fully solid state**  
1 KW pep SSB output; 900 W pep CW out (typ.) ; 700 W pep out. (typ.) on 50 MHz.  
FULL / HALF power selected according to the operator SSB/CW power requirement, for digital modes and for linear protection (automatic).  
No heating time, immediately ready!  
Virtually limitless life of the amplification devices (MOSFETs).
- **Automatic Antenna Tuner built-in**  
Capable of matching 3:1 SWR on HF, and 2.5:1 SWR on 6 meters.  
Capable of programmable switching of 4 antennas (SO239 connectors).  
Bands, Antennas, Tuning conditions are changed in 10 msec.  
Bands, Antennas and Tuning conditions are managed also in "STBY" to support the exciter only.
- **Two inputs available**  
SO239 connectors.
- **Driving Power 20 W (typ.) / 60 W (typ.) US version**  
In "OPERATE" the required drive power is automatically set with an ALC connection and in "STANDBY" the exciter is then automatically reset to full power.
- **Very clean and low distortion output!**  
Spurious emissions less than -50 dB ( 50 MHz -60 dB ).  
3rd order distortion (two tone test) 36 dB typ.
- **Input 50 ohm always perfectly matched**  
SWR less than 1.2:1.
- **Fully protected**  
Temperature, Over-Voltage, Over-Current, SWR, Reflected Power, Max RF Tuner Voltage, Over-Drive, Amp. The correct parameters are continuously monitored.

The same protection is realized in two different ways:

- Via hardware circuits (HW) to assure great speed.
- Via the software (SW), to assure great accuracy.

Thanks to the SW, transmit relay changeover is carried out with zero current at the contacts.

- **Full break-in operation (QSK)**

- **Normal / Contest operation to optimize performance**

- **Very quiet operation**

Seven quiet three-speed cooling fans:

- 150 CFM maximum total air flow.

Temperature thresholds for speed change:

- 65 deg. and 75 deg. (normal mode).
- 60 deg. and 70 deg. (contest mode).

Noise level:

- 39 dBa at maximum blower speed.

- **Continuous use**

“FULL” mode: SSB unlimited, key down 3 minutes.

“HALF” mode: SSB unlimited, key down 10 minutes.

- **Regulated power supply, input 230 / 115 Vac**

With both input voltages the output power doesn't change.

A well designed grain-oriented, tape-wound toroidal transformer reduces magnetic fields around the amplifier .

- **The linear can be switched ON / OFF also switching ON / OFF the exciter**

- **With a large LCD display is possible to have a great deal of information**

W pep out, V pa, I pa, W pep reflected, Power gain, Temperature, SWR, Input setting, CAT setting, Band and other indications including an alarms log.

- **Easy to operate**

Powerful SW gives you a user-friendly unit.

- **RS 232 port for PC control**

SW is supplied to remote the linear front panel.

With a proper protocol it is possible to use this port not only as a remote control but also as a CAT port (useful to link the linear with any customer application).

- **Easy transportation**

A sturdy carry-bag is supplied for “QSY, FIELD DAY, DX' PEDITIONS etc.”.

- **Certifications :**

CE, (FCC are pending).

These specifications are subject to change without notice.

## 18. TABLE

**BAND TABLE, SUB-BAND, CENTRAL FREQUENCY SUB-BAND**

160 m	[ 0] <b>1785</b>	[ 1] <b>1795</b>	[ 2] <b>1805</b>	[ 3] <b>1815</b>	[ 4] <b>1825</b>	[ 5] <b>1835</b>
	[ 6] <b>1845</b>	[ 7] <b>1855</b>	[ 8] <b>1865</b>	[ 9] <b>1875</b>	[10] <b>1885</b>	[11] <b>1895</b>
	[12] <b>1905</b>	[13] <b>1915</b>	[14] <b>1925</b>	[15] <b>1935</b>	[16] <b>1945</b>	[17] <b>1955</b>
	[18] <b>1965</b>	[19] <b>1975</b>	[20] <b>1985</b>	[21] <b>1995</b>	[22] <b>2005</b>	[23] <b>2015</b>
80 m	[24] <b>3470</b>	[25] <b>3490</b>	[26] <b>3510</b>	[27] <b>3530</b>	[28] <b>3550</b>	[29] <b>3570</b>
	[30] <b>3590</b>	[31] <b>3610</b>	[32] <b>3630</b>	[33] <b>3650</b>	[34] <b>3670</b>	[35] <b>3690</b>
	[36] <b>3710</b>	[37] <b>3730</b>	[38] <b>3750</b>	[39] <b>3770</b>	[40] <b>3790</b>	[41] <b>3810</b>
	[42] <b>3830</b>	[43] <b>3850</b>	[44] <b>3870</b>	[45] <b>3890</b>	[46] <b>3910</b>	[47] <b>3930</b>
	[48] <b>3950</b>	[49] <b>3970</b>	[50] <b>3990</b>	[51] <b>4010</b>	[52] <b>4030</b>	
40 m	[53] <b>6963</b>	[54] <b>6988</b>	[55] <b>7013</b>	[56] <b>7038</b>	[57] <b>7063</b>	[58] <b>7088</b>
	[59] <b>7113</b>	[60] <b>7138</b>	[61] <b>7163</b>	[62] <b>7188</b>	[63] <b>7213</b>	[64] <b>7238</b>
	[65] <b>7263</b>	[66] <b>7288</b>	[67] <b>7313</b>	[68] <b>7338</b>		
30 m	[69] <b>10075</b>	[70] <b>10125</b>	[71] <b>10175</b>			
20 m	[72] <b>13975</b>	[73] <b>14025</b>	[74] <b>14075</b>	[75] <b>14125</b>	[76] <b>14175</b>	[77] <b>14225</b>
	[78] <b>14275</b>	[79] <b>14325</b>	[80] <b>14375</b>			
17 m	[81] <b>18075</b>	[82] <b>18125</b>	[83] <b>18165</b>			
15 m	[84] <b>20975</b>	[85] <b>21025</b>	[86] <b>21075</b>	[87] <b>21125</b>	[88] <b>21175</b>	[89] <b>21225</b>
	[90] <b>21275</b>	[91] <b>21325</b>	[92] <b>21375</b>	[93] <b>21425</b>	[94] <b>21475</b>	
12 m	[95] <b>24891</b>	[96] <b>24963</b>	[97] <b>25038</b>			
10 m	[98] <b>27950</b>	[99] <b>28050</b>	[100] <b>28150</b>	[101] <b>28250</b>	[102] <b>28350</b>	[103] <b>28450</b>
	[104] <b>28550</b>	[105] <b>28650</b>	[106] <b>28750</b>	[107] <b>28850</b>	[108] <b>28950</b>	[109] <b>29050</b>
	[110] <b>29150</b>	[111] <b>29250</b>	[112] <b>29350</b>	[113] <b>29450</b>	[114] <b>29550</b>	[115] <b>29650</b>
	[116] <b>29750</b>					
6 m	[117] <b>49750</b>	[118] <b>50250</b>	[119] <b>50750</b>	[120] <b>51250</b>	[121] <b>51750</b>	[122] <b>52250</b>
	[123] <b>52750</b>	[124] <b>53250</b>	[125] <b>53750</b>	[126] <b>54250</b>		

NOTE: [sub-band] Central frequency KHz

## 19. WARRANTY

SPE warrants to the original purchaser that this product shall be free from defects or workmanship.

SPE warrants for two (2) years from the date of original purchaser that will provide free of charge all parts and labor necessary to correct defects in material or workmanship. The purchaser has to pay only the cost of shipping for warranty work.

To obtain such warranty service, the original purchaser must:

- 1) Complete and send to SPE, not over 30 days from the date of purchase, the warranty registration card.
- 2) Notify SPE or its nearest authorized service facility, immediately the defect discovered sending:
  - a) The model and the serial number of the amplifier;
  - b) The identity of the seller and the date of purchase
  - c) The description of the defect.

The warranty does not apply to any defect that SPE determines is due to:

- a) Improper maintenance or repair by persons not authorised by SPE to carry out such work, including the installation of parts or accessories that do not conform to the quality and specifications of the original parts.
- b) Misuse, abuse, neglect or improper installation.
- c) Carelessness, accidental or intentional damage.

SPE warranties aforesaid items only, and the purchaser shall have no remedy and no claim for incidental or consequential damages.

Particular agreements between retailer and purchaser or particular obligations imposed in other countries are matters for the local retailer and not for SPE.

SPE recommends you record this information:

- Model of the amplifier
- Serial number
- Date of purchase
- Name and address of the retailer
- Date of mailing of the Warranty Card.



Notes:

**SPE** s.r.l.

Via di Monteverde, 33 00152 Rome (Italy)

Tel. +390658209429

Fax. +390658209647

E-mail: [info@linear-amplifier.com](mailto:info@linear-amplifier.com)

Website: <http://www.linear-amplifier.com>

Ver. 1.3

Copyright © 2006 S.P.E. srl All rights reserved